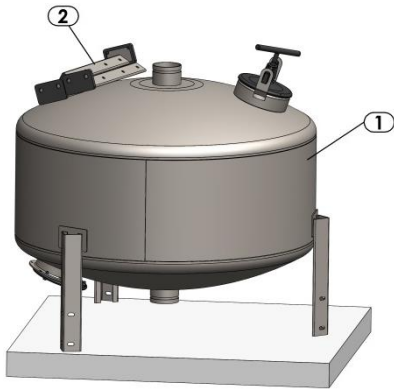


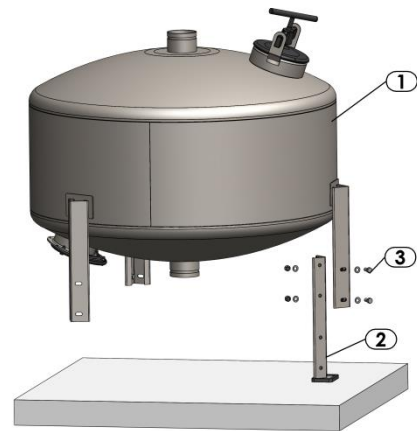
# Media Filter Series YF660IVL-SS

## Extension Legs Assembly Instructions

**Step 1** – Take the extension legs (2) (including the bolts) from the top of the filter.



**Step 2** – Carefully raise the media filter (1). Attach the extension legs (2) to the media filter legs and tighten with the bolts (3).



**Step 3** – Assembly is now completed.

