

TORO

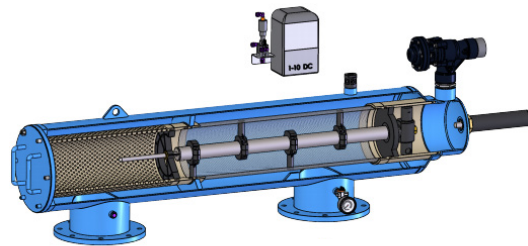
YAMIT
FILTRATION

SCREEN CHAMP

AUTOMATIC SELF-CLEANING
SCREEN FILTER



YFAF200



YFAF800

YFAF200 AND YFAF800 MODELS

UNIQUE FEATURES, ADVANTAGES, AND BENEFITS

Stainless steel YFAF800 filter bodies include “Passivation” treatment:

- Stainless steel filter bodies are soaked in nitric acid to remove all carbon sediments
- Oxide coating that is created on the stainless steel provides superior corrosion resistance

Three (3) layered floating 316L stainless steel screen:

- Strong and durable, works reliably even in the most extreme conditions
- Greater effective screen area (open pore space)
- Floating layers provide more open pore space

Specially designed suction nozzle with a “V-Shaped Notch” provides superior screen cleaning:

- Large debris can become trapped on the inside of the fine screen
- Other nozzles are not capable of sucking large debris during cleaning and can cause the nozzle to jam on the screen
- Easily ingests large debris and allows the dirt collector to rotate without jamming the screen
- Easy to maintain and clean, minimizing downtime

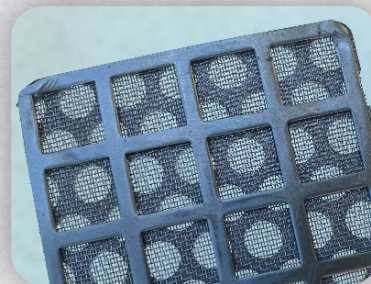
STAINLESS STEEL WITH PASSIVATION



CARBON STEEL WITH POLYESTER COATING



3 LAYERED FLOATING STAINLESS STEEL SCREEN



NOZZLE WITH V-SHAPED NOTCH

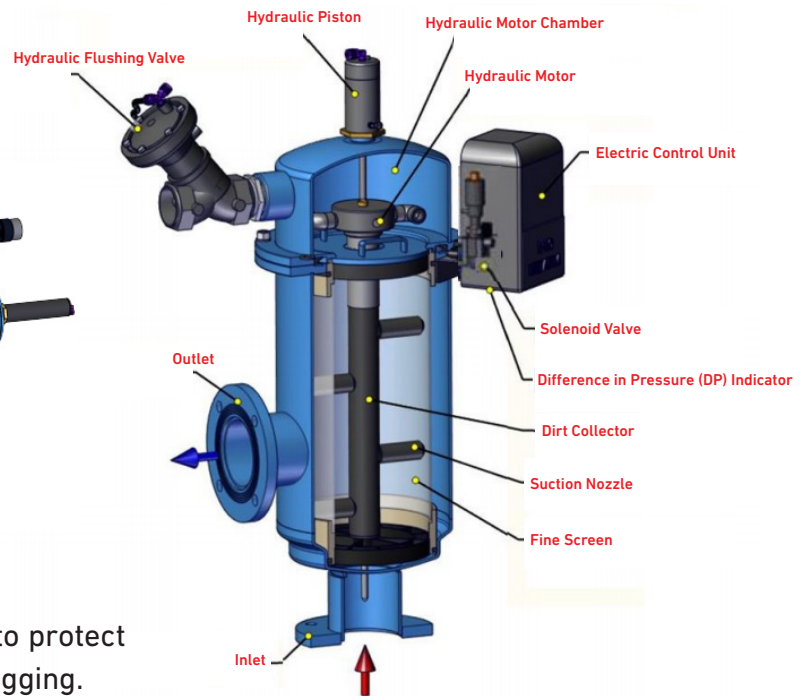
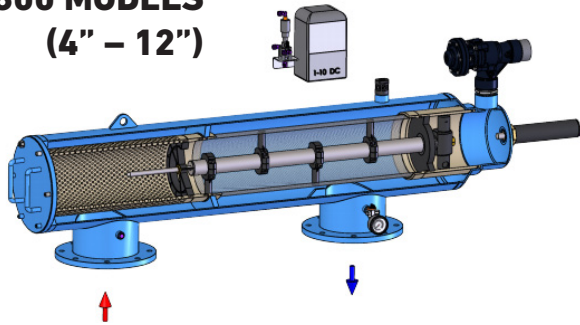


Carbon steel filter bodies with superior UV Resistant Polyester Coating are protected against fading color and corrosion.

SCREEN CHAMP AUTOMATIC SCREEN FILTER CUTAWAYS OF YFAF200 AND YFAF800 MODELS

YFAF200 MODELS (2" – 8")

YFAF800 MODELS (4" – 12")



APPLICATIONS

Provides quality and reliable filtration to protect all types of irrigation systems from clogging.

Effective with all water sources including reservoirs, canals, rivers, wells and treated effluent water.

OPERATION

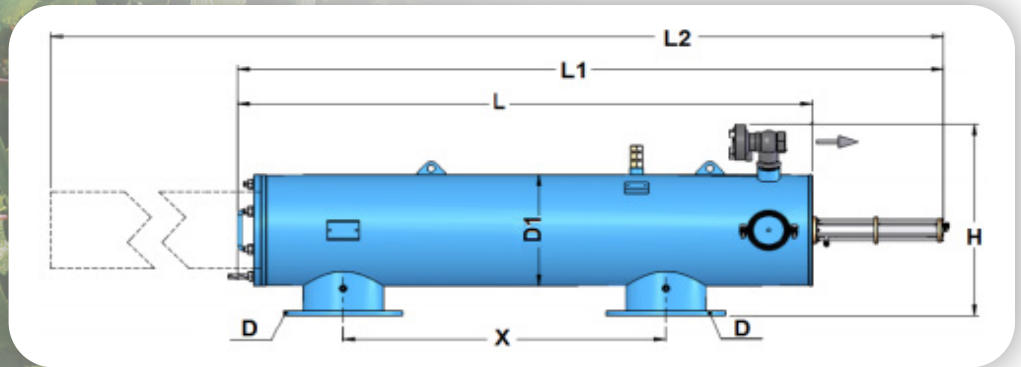
Filtration: Water enters the filter through the "inlet" and passes through the coarse screen, that functions as a "first stop" for large particles. Water then reaches the fine screen, which further cleans the flow by separating smaller particles from the water. As more water flows through, impurities build up on the fine screen. As impurities on the screen accumulate, a pressure differential is built up between the internal section of the fine screen and its external section.

Self-Cleaning Flushing Process: When the difference in pressure (DP) reaches the preset value on the differential pressure indicator, the following events occur, while the water continues to flow to the irrigation system uninterrupted:

- The flush valve opens, and a strong suction force is created at the dirt collector nozzles inside the screen
- The suction force vacuums away the dirt particles that accumulated on the inside of the screen
- The hydraulic motor rotates the dirt collector around its axis and the piston moves the dirt collector forward so that the nozzles clean the entire inside surface of the screen
- After 10 seconds the flushing process is complete and the flushing valve closes, and the resulting increased water pressure returns the dirt collector to its initial position
- The filter screen is now clean and starts to accumulate dirt particles again

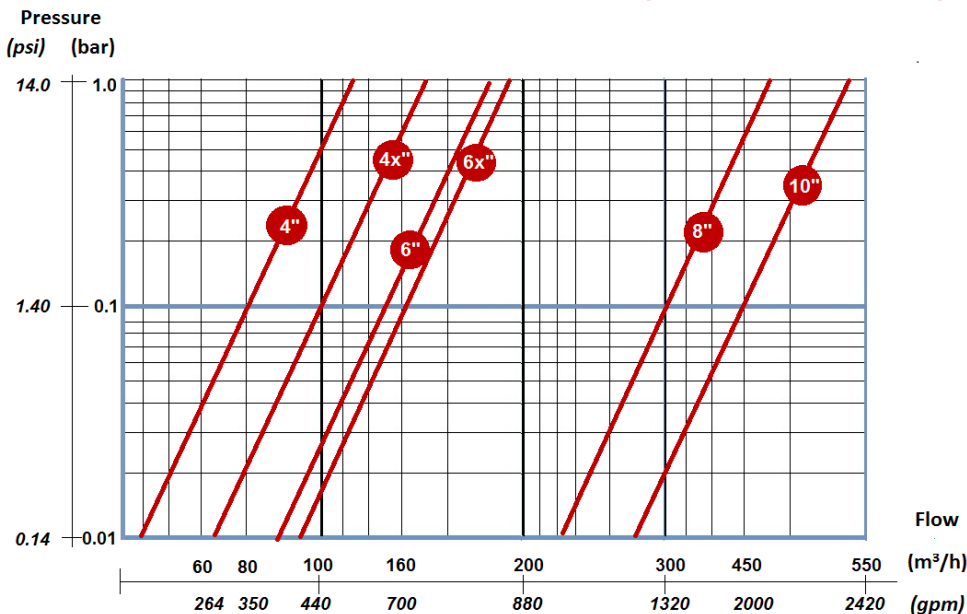
YFAF800

Model	In/Out ØD		Maximum Flow Rate		Screen Area		Flushing Flow Rate		Flushing Volume	
	(mm)	(in)	(m³/h)	(gpm)	(cm²)	(in²)	(m³/h)	(gpm)	(m³)	(gal)
YFAF804NL	100	4	80	350	5,780	895	30	132	0.083	21.9
YFAF804NX	100	4	100	440	8,410	1,303	30	132	0.083	21.9
YFAF806NL	150	6	150	660	5,780	895	30	132	0.083	21.9
YFAF806NX	150	6	160	700	8,410	1,303	30	132	0.083	21.9
YFAF808NL	200	8	300	1320	8,410	1,303	30	132	0.083	21.9
YFAF810X	250	10	450	2000	11,710	1,815	90	396	0.249	65.7



Model	In/Out ØD		ØD1		H		X		L		L1		L2	
	(mm)	(in)	(in)	(mm)	(in)	(mm)	(in)	(mm)	(in)	(mm)	(in)	(mm)	(in)	
YFAF804NL	100	4	10	545	21.4	900	35.4	1,535	60.4	1,782	70.1	2,820	111.0	
YFAF804NX	100	4	10	545	21.4	900	35.4	1,931	76.0	2,178	85.7	3,620	142.5	
YFAF806NL	150	6	12	580	22.8	900	35.4	1,605	63.2	1,851	72.9	2,890	113.8	
YFAF806NX	150	6	10	555	21.8	900	35.4	2,001	78.8	2,247	88.5	3,680	144.9	
YFAF808NL	200	8	12	579	22.8	900	35.4	2,190	86.2	2,437	95.9	3,870	152.4	
YFAF810X	250	10	16	720	28.4	1,100	43.3	2,700	106.3	3,145	123.8	5,420	213.4	

PRESSURE LOSS AT 120 MESH (IN CLEAN WATER)



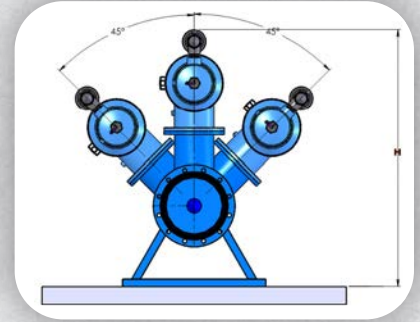
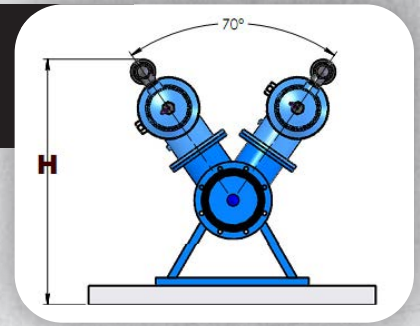
Maximum operating pressure: 150 psi

Minimum pressure during flush: 30 psi

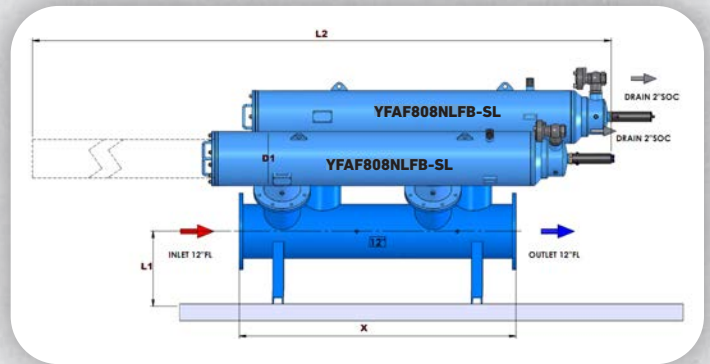
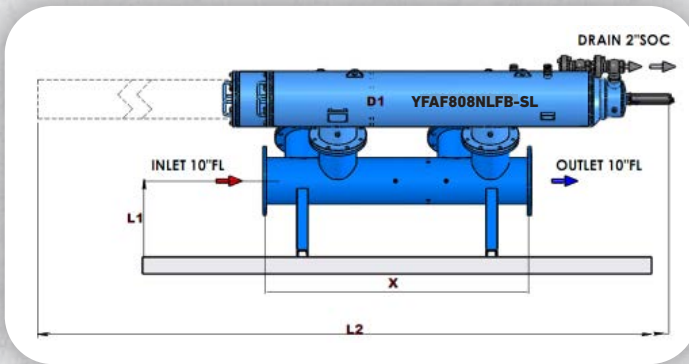
MULTI-UNIT SYSTEMS

Model	In/Out ØD (mm) (in)		Maximum Flow Rate (m³/h) (gpm)		Screen Area (cm²) (in²)		Flushing Flow Rate (m³/h) (gpm)		Flushing Volume (m³) (gal)	
YFAF808-02-10-YU	250	10	600	2,640	16,820	2,606	60	264	0.166	43.8
YFAF808-03-12-YU	300	12	900	3,960	25,230	3,909	90	396	0.249	65.7

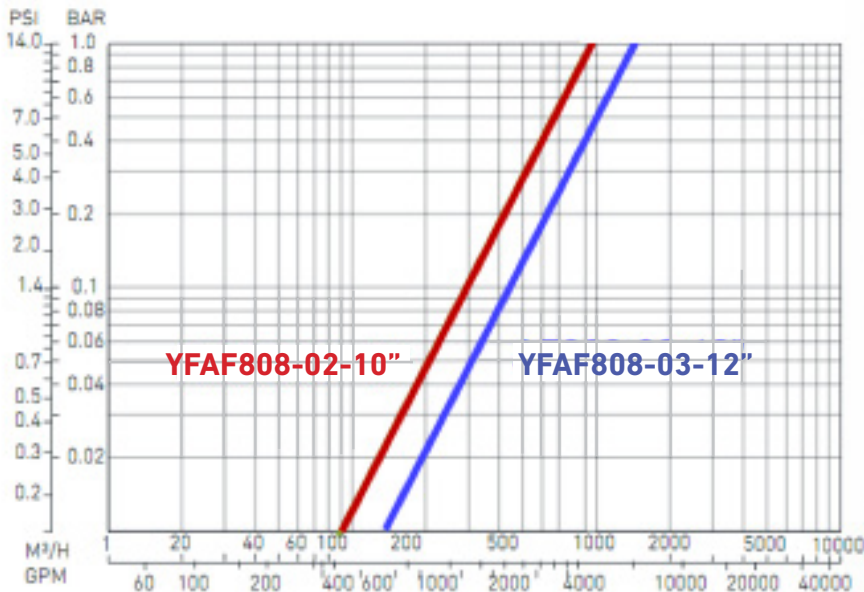
Model	In/Out ØD (mm) (in)		ØD1 (in)	H (mm) (in)		X (mm) (in)		L1 (mm) (in)		L2 (mm) (in)	
YFAF808-02-10-YU	250	10	10	1,295	51	1,650	65	425	16.73	4,400	174
YFAF808-03-12-YU	300	12	10	1,431	56	1,650	65	450	17.71	4,400	174



YFAF808NLFB-SL



PRESSURE LOSS AT 120 MESH (IN CLEAN WATER)



Maximum operating pressure: 150 psi

Minimum pressure during flush: 30 psi



SCREEN CHAMP YFAF800

AUTOMATIC SELF-CLEANING SCREEN FILTER

MAXIMUM RECOMMENDED FLOW RATES*

4" Parallel Short Model YFAF804NL Filter Area = 895 in ²				
Water Quality	200 Mesh	150 Mesh	120 Mesh	80 Mesh
Good	275	300	325	350
Average	250	275	300	325
Poor	225	250	275	300
Very Poor	175	200	250	275

4" Parallel Long Model YFAF804NX Filter Area = 1,303 in ²				
Water Quality	200 Mesh	150 Mesh	120 Mesh	80 Mesh
Good	375	400	450	500
Average	325	375	425	450
Poor	275	300	375	400
Very Poor	220	250	300	350

6" Parallel Short Model YFAF806NL Filter Area = 895 in ²				
Water Quality	200 Mesh	150 Mesh	120 Mesh	80 Mesh
Good	425	475	550	660
Average	400	450	500	600
Poor	350	400	450	550
Very Poor	300	350	400	500

6" Parallel Long Model YFAF806NX Filter Area = 1,303 in ²				
Water Quality	200 Mesh	150 Mesh	120 Mesh	80 Mesh
Good	550	600	650	700
Average	525	550	625	650
Poor	480	500	600	625
Very Poor	380	400	450	550

8" Parallel Model YFAF808NL Filter Area = 1,303 in ²				
Water Quality	200 Mesh	150 Mesh	120 Mesh	80 Mesh
Good	750	900	1,100	1,300
Average	675	800	950	1,100
Poor	520	600	750	850
Very Poor	320	400	550	650

10" Parallel Model YFAF810X Filter Area = 1,815 in ²				
Water Quality	200 Mesh	150 Mesh	120 Mesh	80 Mesh
Good	1,400	1,600	1,800	2,000
Average	900	1,200	1,500	1,700
Poor	750	950	1,200	1,400
Very Poor	500	700	900	1,100

10" (2-units of 8") Model YFAF808-02-10" Filter Area = 2,606 in ²				
Water Quality	200 Mesh	150 Mesh	120 Mesh	80 Mesh
Good	1,500	1,800	2,200	2,600
Average	1,350	1,600	1,900	2,200
Poor	1,040	1,200	1,500	1,700
Very Poor	640	800	1,100	1,300

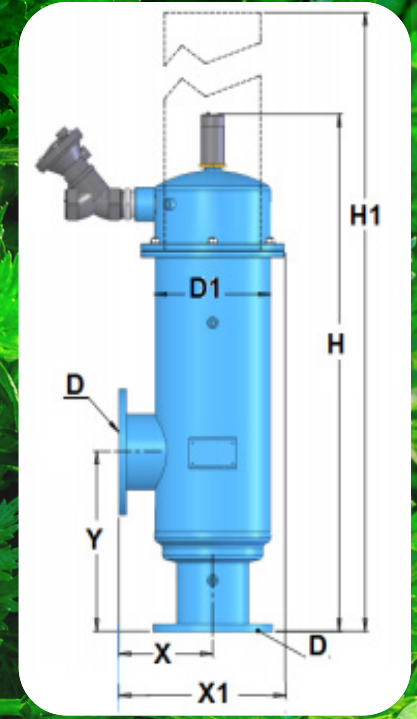
12" (3-units of 8") Model YFAF808-03-12" Filter Area = 3,909 in ²				
Water Quality	200 Mesh	150 Mesh	120 Mesh	80 Mesh
Good	2,250	2,700	3,300	3,900
Average	2,025	2,400	2,850	3,300
Poor	1,560	1,800	2,250	2,550
Very Poor	960	1,200	1,650	1,950

***NOTE: FLOW RATES ARE THE MAXIMUM RECOMMENDED PER UNIT.**

PLEASE CONTACT TORO FOR ADDITIONAL INFORMATION.

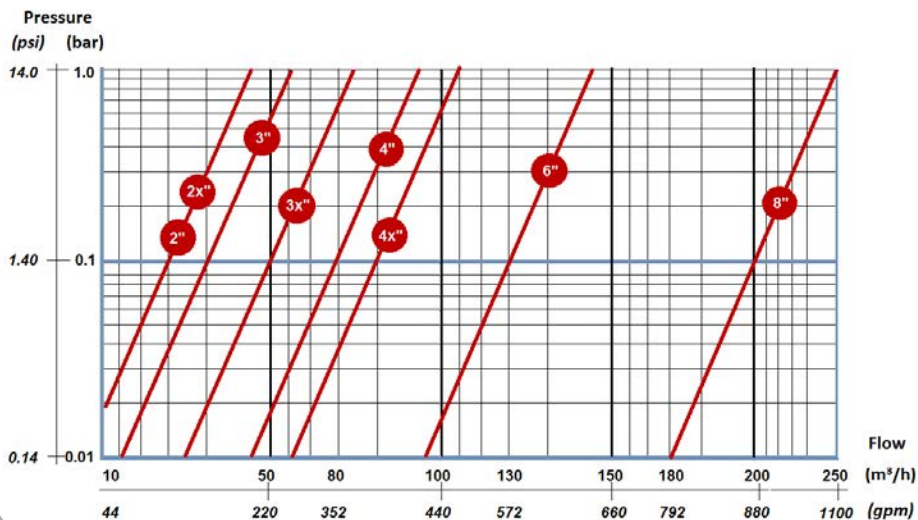
YFAF200

Model	In/Out ØD (in)	Maximum Flow Rate* (m ³ /h) (gpm)		Screen Area (cm ²) (in ²)		Flushing Flow Rate (m ³ /h) (gpm)		Flushing Volume (m ³) (gal)	
YFAF202X	2	30	132	1,630	253	6	26	0.0083	2.2
YFAF203X	3	50	220	1,630	253	6	26	0.0083	2.2
YFAF204X	4	90	396	2,770	430	20	87	0.028	7.4
YFAF206	6	130	572	4,120	640	20	87	0.028	7.4
YFAF208	8	200	880	5,240	812	20	87	0.028	7.4



Model	In/Out ØD (mm) (in)		ØD1 (in)	X (mm) (in)		X1 (mm) (in)		Y (mm) (in)		H (mm) (in)		H1 (mm) (in)		Shipping Weight (kg) (lb)	
YFAF202X	50	2	10	220	8.7	465	18.3	197	8.7	623	24.5	590	23.2	47	103
YFAF203X	75	3	10	220	8.7	465	18.3	210	8.3	641	25.2	590	23.2	48	105
YFAF204X	100	4	10	220	8.7	585	23.0	315	12.4	920	36.2	1,145	45.1	70	154
YFAF206	150	6	10	220	8.7	585	23.0	400	15.8	1,150	45.3	1,575	62.0	90	198
YFAF208	200	8	16	303	11.9	642	25.3	450	17.7	1,219	48.0	1,700	66.9	150	331

PRESSURE LOSS AT 120 MESH (IN CLEAN WATER)



Maximum operating pressure: 150 psi

Minimum pressure during flush: 30 psi

SCREEN CHAMP YFAF200

AUTOMATIC SELF-CLEANING SCREEN FILTER

MAXIMUM RECOMMENDED FLOW RATES

2" Vertical Model YFAF202XM Filter Area = 253 in ²				
Water Quality	200 Mesh	150 Mesh	120 Mesh	80 Mesh
Good	112	120	125	132
Average	80	90	105	120
Poor	65	80	90	105
Very Poor	50	65	75	90

3" Vertical Model YFAF203XM Filter Area = 253 in ²				
Water Quality	200 Mesh	150 Mesh	120 Mesh	80 Mesh
Good	170	190	210	220
Average	130	150	175	200
Poor	90	115	140	170
Very Poor	75	90	115	140

4" Vertical Model YFAF204XF Filter Area = 430 in ²				
Water Quality	200 Mesh	150 Mesh	120 Mesh	80 Mesh
Good	340	360	380	400
Average	240	280	320	360
Poor	180	220	260	300
Very Poor	120	160	200	240

6" Vertical Model YFAF206F Filter Area = 640 in ²				
Water Quality	200 Mesh	150 Mesh	120 Mesh	80 Mesh
Good	470	495	520	550
Average	330	380	430	490
Poor	230	300	340	410
Very Poor	170	220	260	330

8" Vertical Model YFAF208F Filter Area = 812 in ²				
Water Quality	200 Mesh	150 Mesh	120 Mesh	80 Mesh
Good	680	720	760	800
Average	480	560	640	720
Poor	360	440	520	600
Very Poor	240	320	400	480

© 2020 The Toro Company.
All Rights Reserved. Printed in the USA.

Toro Ag
1588 N. Marshall Avenue
El Cajon, CA 92020-1523, USA
Tel: + (877) 373-0087 or + 1 (619) 596-2495
Fax: +1 (800) 892-1822 or + 1 (619) 258-9973
toro.com



Ag

ALT322
06/20

Products depicted in this literature are for demonstration purposes only. Actual products offered for sale may vary in use, design, required attachments and safety features. We reserve the right to improve our products and make changes in specifications, design and standard equipment without notice and without incurring obligation. See your dealer for details on all our warranties.