



# TransPro<sup>®</sup> 648

PROCORE<sup>®</sup> 648S & 648 TRAILER

## FEATURES

### TransPro 648

- Allows efficient transport of the Toro ProCore 648s & 648
- Extendable trailer tongue to reach under tow vehicle cargo bed, yet minimizes footprint for storage
- Quick and easy securing and release of the aerator – no need for tie down straps
- Raised trailer edges to align front wheel during loading/unloading and prevent rear tire rub during transport
- Easily secure ramp in raised position for empty transport
- Roller tongue jack for easy connection to tow vehicle and repositioning during storage
- High-strength ramp for durability that automatically raises during loading
- ProCore 648 tie down adapter plate to eliminate latch repositioning when using both ProCore 648 and 648s

## The next addition to Toro's legendary ProCore line of products is here.

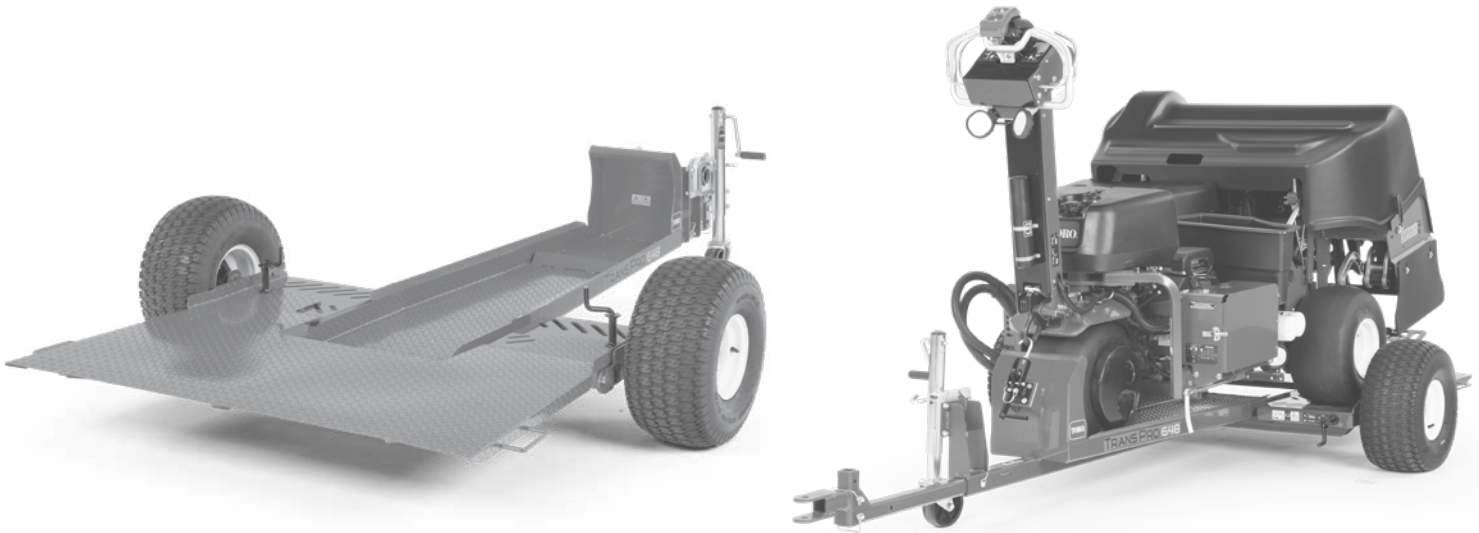
The Toro TransPro 648 allows for the secure and efficient transport of the Toro ProCore 648s and 648 models around your property. Unique design elements allow for quick loading and unloading and easy securing and release of the aerator. The front latch secures both ProCore models to the trailer with no need for additional securing straps. Raised rigid edges keep the front wheel aligned and the rear wheels in intended position. Large flotation tires minimize ground pressure and absorb small bumps for a smooth ride.





# TransPro® 648\*

Easily transports ProCore 648s and ProCore 648 to and from the work area.



TRANSPRO 648, MODEL 09964	
<b>LOAD CAPACITY</b>	1,850 lbs. (839 kg)
<b>SUSPENSION</b>	Large low pressure tires (20 x 10-8)
<b>TRANSPORT SPEED</b>	Maximum of 15 mph (24 km/h)
<b>RAMP</b>	Textured ramp design. Automatically raises during loading
<b>HITCH</b>	Pin type hitch is standard; tongue is 2.5" (6.4 cm) square and adjustable in height and length
<b>TOWING</b>	Tow Vehicle Requirement: 2,250 lbs. (1020.6 kg)
<b>TIE DOWN METHOD</b>	Over-Center style quick latch
<b>AXLE</b>	Heavy-duty stub axle. Greaseable
<b>DIMENSIONS</b>	Height: 21" (53.3 cm) Width: 73.8" (187.5 cm) Length (Extended): 150" (380.6 cm), Retracted: 123.6" (313.9 cm)
<b>TRAILER WEIGHT</b>	382 lbs. (173 kg)

TRANSPRO 648 ACCESSORIES	
161-3721	ProCore 648 Latch Adapter Plate (Recommended for those using both ProCore 648 and 648s)

\*Specifications and design subject to change without notice. Products depicted in this literature are for demonstration purposes only. Actual products offered for sale may vary in use, design, required attachments and safety features. Consult your local Toro Distributor.

